



# WAFER CHECK VALVE



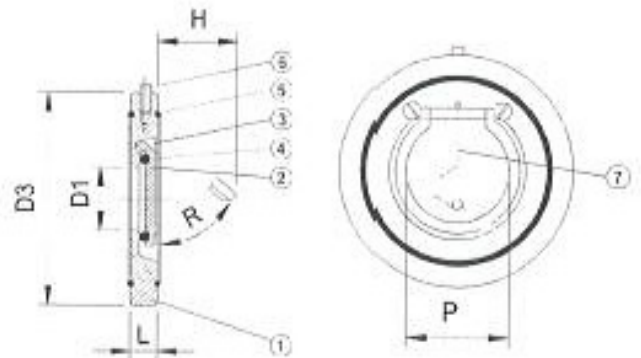
(W/O Spring)

**JT 300**



(W/ Spring)

**JT 300S**



## JT Series

**SIZE: DN40 ~ DN600**

**Applications**

- Water and waste water treatment
- Chemical Industrial
- Environmental Industrial
- Process Industrial
- Systems engineering

**Features**

- Require little space in piping system
- Economical - Simple and durable construction
- Easy installation - Wafer Body to slip between standard flanges
- Light Weight
- Chemical Resistant
- No corrosion

**MATERIALS OF CONSTRUCTION**

No.	Parts	Pcs.	Materials	No.	Parts	Pcs.	Materials
1	Body	1	UPVC,PP,CPVC,PVDF	5	Packing	2	EPDM,VITON
2	Flapper	1	UPVC,PP,CPVC,PVDF	6	Installation device	1	SUS304, SUS316
3	Flapper mounting screw	2	PP,PVDF	7	Spring	1	SUS304, SUS316
4	O-ring	1	EPDM,VITON				

**DIMENSIONS TABLE**

Nom. Size DN (inch)	JIS Unit:mm					ANSI Unit:inch					DIN Unit:mm					Test press (kgf/cm <sup>2</sup> ) (bar)	Work press (kgf/cm <sup>2</sup> ) (bar)	Mini Back Pressure Rate psi	
	D1	D3	P	L	H	D1	D3	P	L	H	D1	D3	P	L	H				
40(1-1/2")	23	82	35	16	25	0.89	3.23	1.38	0.63	0.99	23	82	35	16	25	15	10	0.2	0.3
50(2")	32	101	47	20	48	1.28	3.97	1.85	0.79	1.60	32	101	47	20	48	15	10	0.2	0.3
65(2-1/2")	40	119	57	20	51	1.57	4.68	2.24	0.79	2.00	40	119	57	20	51	15	10	0.2	0.3
80(3")	54	129	72	20	74	2.13	5.08	2.83	0.78	2.90	54	129	72	20	74	15	10	0.25	0.3
100(4")	70	154.5	90	22	91	2.76	6.05	3.54	0.87	3.60	70	154.5	90	22	91	15	10	0.25	0.3
125(5")	92	187	114	22	95	3.64	7.38	4.48	0.87	3.77	92	187	114	22	95	15	10	0.25	0.3
150(6")	112	210	134	26	147	4.40	8.27	5.27	1.02	5.90	112	210	134	26	147	15	10	0.25	0.3
200(8")	150	265	179	35	191	5.90	10.43	7.04	1.38	7.50	150	265	179	35	191	10	7	0.3	0.3
250(10")	190	325	228	40	229	7.48	12.79	8.89	1.57	9.00	190	325	228	40	229	9	6	0.3	0.3
300(12")	216	372	284	45	259	8.62	14.64	10.39	1.77	10.20	216	372	284	45	259	9	6	0.3	0.3
350(14")	266	430	311	49	245	10.47	16.93	12.24	1.93	9.84	266	430	311	40	245	9	6	0.5	0.5
400(16")	310	482	354	65	285	12.20	18.97	13.93	2.58	11.22	310	482	354	65	285	7	5	0.7	0.6
450(18")	350	538	398	68	330	13.78	21.10	15.59	2.67	13.00	350	538	398	68	330	5	3.5	1.0	0.8
500(20")	400	593	437	78	385	15.75	23.35	17.2	3.07	15.10	400	593	437	78	385	5	3.5	1.1	1.0

The dimension table is calculably based on PVC material.

The value of test pressure is calculably based on PVC/PVDF materials.  
The value of test pressure for PP material is 70% based on the table.  
The flanged length tolerance is according to EN558-1:1995.