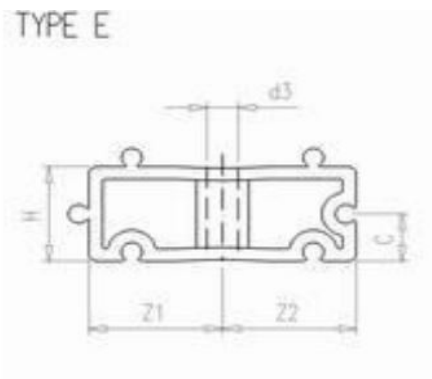


Pipe Spacers



Part Code	d1	d3	Z1	Z2	H	C	E	TYPE
PS005	1/2"	5.5	16.5	19	20	10	16	E
PS007	3/4"	5.5	19	21.5	20	10	16	E
PS010	1"	5.5	24	26.5	20	10	16	E
PS012	1 1/4"	6.5	33.5	33.5	20	10	22	E
PS015	1 1/2"	6.5	37	37	20	10	22	E
PS020	2"	8.5	44.5	44.5	20	10	25	E
PS025	2 1/2"	8.5	52	52	20	10	25	E
PS030	3"	8.5	64.5	64.5	20	10	28	E
PS040	4"	8.5	78	78	20	10	28	E